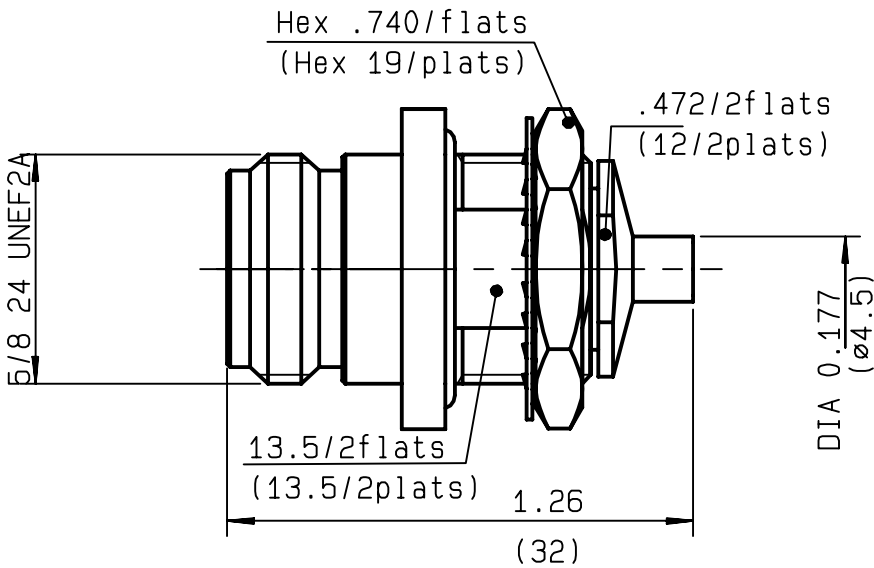
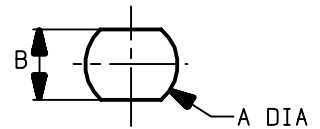


**STRAIGHT BULKHEAD JACK PANEL SEAL  
SOLDER TYPE - CABLE .141**

**R161.336.200**  
**SERIES N**



PERCAGE PANNEAU  
MOUNTING HOLE



	MM		INCH	
	maxi	mini	maxi	mini
A	16.1	16	0.634	0.63
B	13.7	13.6	0.539	0.535

NOMINAL IMPEDANCE	<b>50</b>	$\Omega$
FREQUENCY RANGE	<b>0-11</b>	GHz
TEMPERATURE RATING	<b>-55/+105</b>	$^{\circ}\text{C}$
V.S.W.R	<b>1.15</b> +	x F(GHz)Maxi
RF INSERTION LOSS	<b>0.048</b>	$\sqrt{F}$ (GHz) dB Maxi
VOLTAGE RATING	<b>335</b>	Veff Maxi
DIELECTRIC WITHSTANDING VOLTAGE	<b>1000</b>	Veff Mini
INSULATION RESISTANCE	<b>5000</b>	M $\Omega$ Mini
HERMETIC SEAL	<b>NA</b>	Atm.cm <sup>3</sup> /s
LEAKAGE (pressurized only)	<b>IP67</b>	
MECHANICAL DURABILITY	<b>500</b>	Cycles
WEIGHT	<b>35</b>	gr
SPECIFICATION		

CABLES : **BELN 1673A**  
**HC80000-3**  
**KS 2**  
**RG 402**  
**SUCOFORM 141**

OTHERS CHARACTERISTICS

CABLE RETENTION	<b>500</b>	N Mini
CENTER CONTACT RETENTION		
Axial force - mating end	<b>NA</b>	N Mini
Axial force - opposite end	<b>NA</b>	N Mini
Torque	<b>NA</b>	cm.N Mini
RECOMMENDED TORQUES		
Mating	<b>NA</b>	cm.N
Panel nut	<b>500</b>	cm.N
Clamp nut	<b>150</b>	cm.N

CONNECTOR PARTS	MATERIALS	FINISH	(all values are given in micrometers)
BODY	BRASS	BBR 2	
OUTER CONTACT			
CENTER CONTACT	BERYLLIUM COPPER	GOLD 0.5 OVER NICKEL 2	
INSULATOR	PTFE	-	
GASKET	SILICONE RUBBER	-	
OTHERS PIECES	BRASS	BBR 2	

ISSUE <b>9807B00</b>	CREATION DATE <b>12/02/1997</b>	FILE PART-NUMBER <b>EPC 96-07</b>
-------------------------	------------------------------------	--------------------------------------



Connect to the future

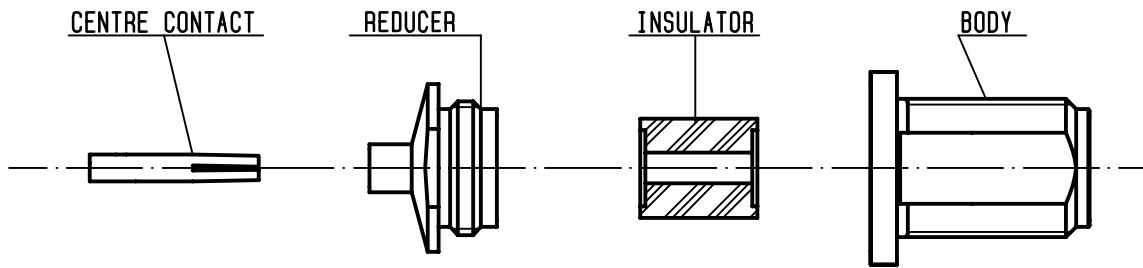
GONZALES

The information given here is subject to change without notice.  
Design changes may be in order to improve the product .



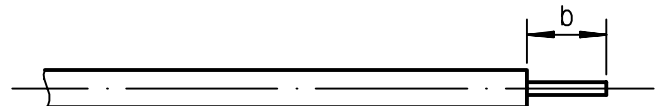
**R161.336.200**

ISSUE **9807B00** SERIES **N**



①

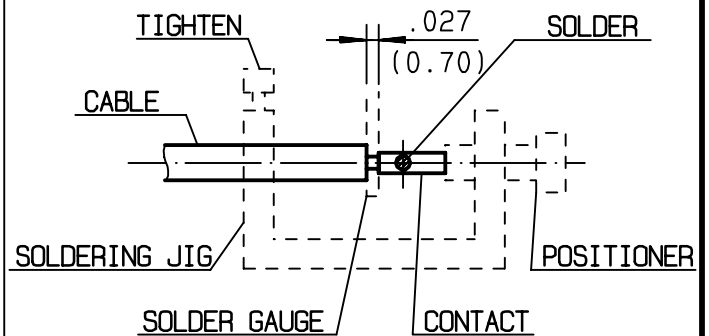
Take the tool kit : R 282 125 010 .  
Strip the dielectric of the cable .  
Stripping tool cable : R 282 053 .  
Trimmer : R 282 066 010 .  
Clean the cable .



Stripping	a	b	c	d	e
inch	0	0.177 0	0	0	0
mm		4.5			

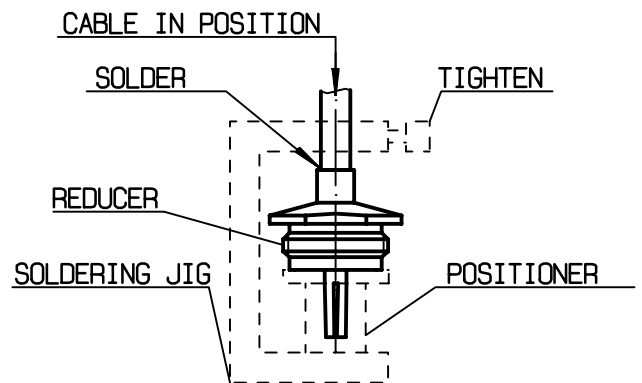
②

Screw the positioner R282 744 260 onto the soldering jig R 282 740 030 .  
Slide contact into positioner .  
Insert solder gauge R 282 862 090 between contact and cable .  
Tighten and solder the contact .



③

After cooling remove cable assembly from the jig .  
Put positioner R282 744 310 on the soldering jig .  
Slide cable into the reducer until it bottoms againsts positioner R282 744 310 .  
Tighten .  
Put 3 rings of solder around the cable and solder .



④

After cooling remove cable assembly from the jig .  
Slide insulator into the centre contact .  
Screw sub-assembly into the connector body .  
( recommended coupling torque 13.27 in.lb )

